

MintHouz Magnetic Wireless Charger User Guide

Manualsum, simplified manuals

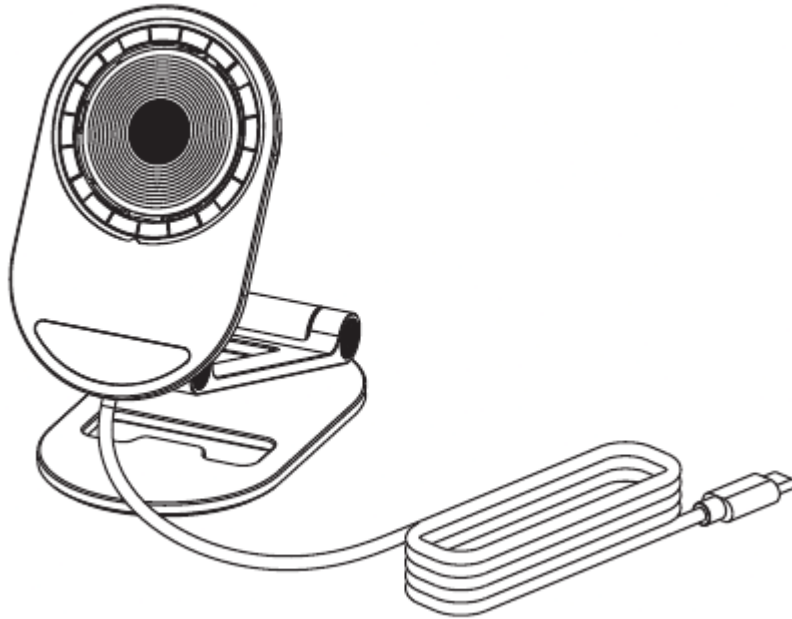
Table of Contents

- [MintHouz Magnetic Wireless Charger User Guide](#)
 - [INTRODUCTION](#)
 - [IN THE BOX](#)
 - [OVERVIEW](#)
 - [FEATURES](#)
 - [USING TIPS](#)
 - [SPECIFICATION](#)
 - [ATTENTION](#)

MintHouz Magnetic Wireless Charger User Guide

MintHouz Magnetic Wireless Charger User Guide

([2BHA2-LEAPMR15](#))



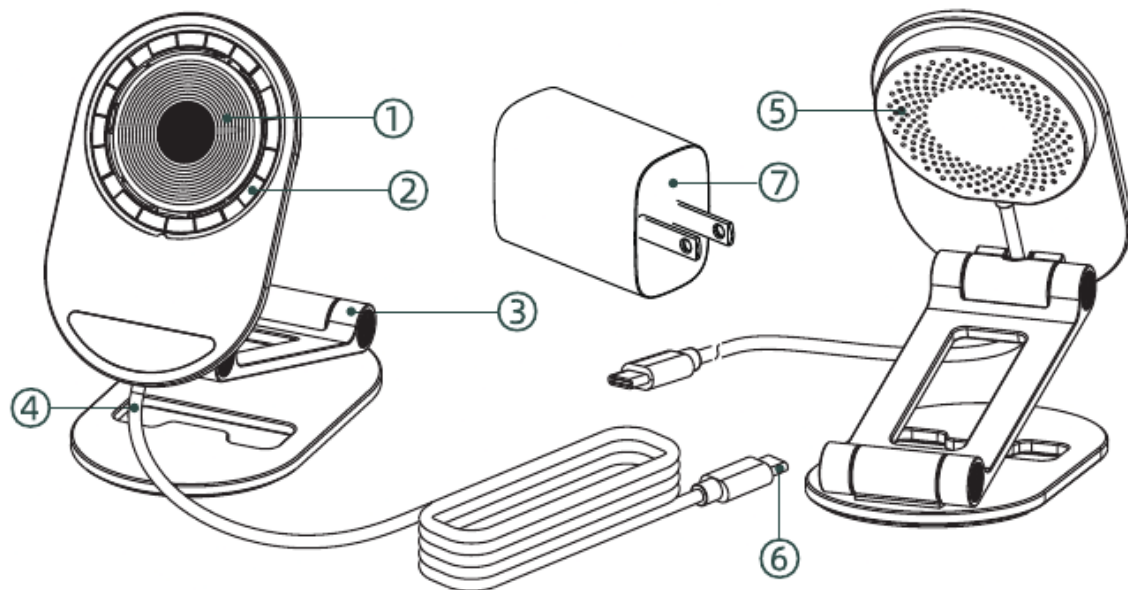
INTRODUCTION

This desktop magnetic wireless charger offers instant charging capabilities, featuring magnetic adsorption that allows for precise phone alignment and immediate charging without the constraints of cables. Its multi-angle and height adjust-ability ensure comfortable usage, whether for work or entertainment, preventing shoulder strain. The foldable mount design enhances portability. Supporting the Qi charging protocol, QC2.0/3.0, and PD2.0/3.0, it ensures compatibility with a wide range of Apple and Android models.

IN THE BOX

1. 1x USB-C Desktop Magnetic Wireless Charger
2. 1x USB-C Power Adapter
3. 1x Quick Start Guide

OVERVIEW



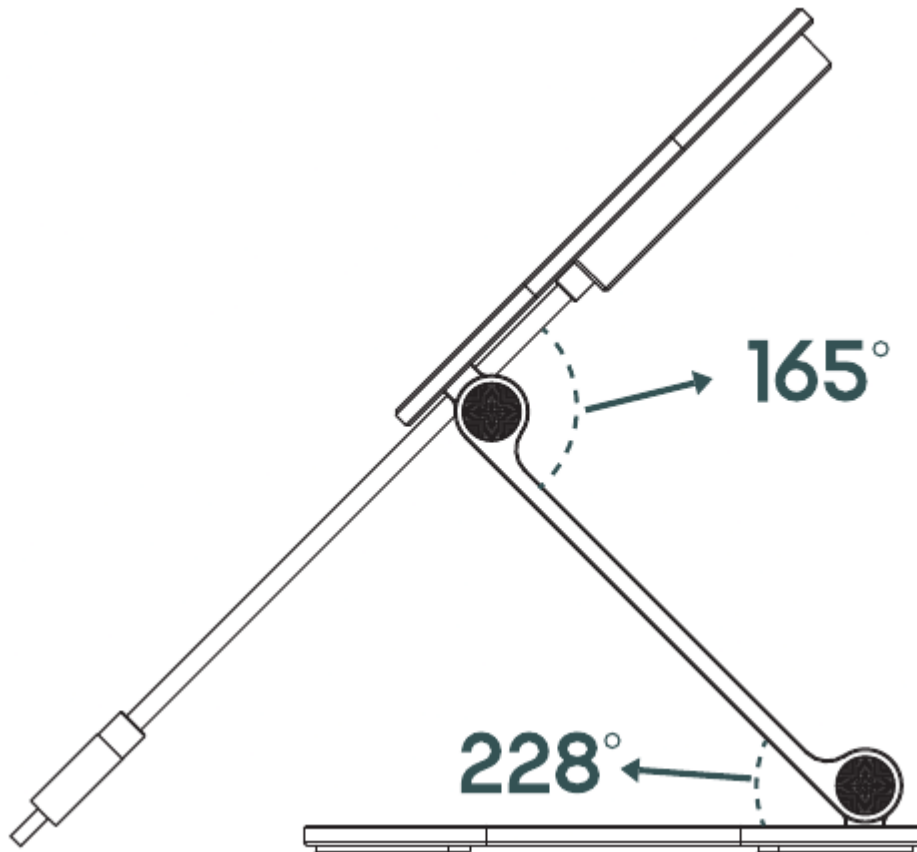
1. Wireless Charging Coil: Power output
2. Magnet: Magnetic adsorption, fixation and coil alignment
3. Phone Stand: Made of aluminum alloy for adjusting the pitch angle and height of the wireless charger
4. Integrated Cable: Integrated with the mount
5. Heat Vents
6. USB-C Connector: Connecting to power adapter
7. Power Adapter

FEATURES

1. Special magnetic adsorption design for precise alignment
2. Multiple protection ensure the safe charging
3. Supporting Qi protocol, QC2.0/3.0 and PD2.0/3.0, compatible with various phone models
4. Foldable design, easy to carry, no charging anxiety while going out
5. Free adjustment from several angles and height, free your shoulder pain
6. High-density heat dissipation design prevents overheating damage
7. 2-6mm transmission distance, charging your phone easily even with a phone case

USING TIPS

1. **Step 1.** Connect USB-C Connector to the Power Adapter
2. **Step 2.** Plug the Power Adapter into the power outlet.
3. **Step 3.** Adjust the angle and height as you are comfortable
4. **Step 4.** Align the back of your phone with the Magnet Panel and Charging Coil, then put the phone on it.



SPECIFICATION

Material: Aluminium Alloy&Plastic&Silicone

Output: 5W/7.5W/10W/15W (MAX)

Input: 5V/3A, 9V/2A, 12V/1.5A(MAX)

Input Protocol: QC2.0/3.0 and PD2.0/3.0

Charging Protocol: WPC-Qi V1.2.4

Transmission Distance: 2-6mm

Phone Model: iPhone and Android(with a mag safe phone case)

ATTENTION

1. It is forbidden to insert metal objects between the wireless charging coil and the mobile phone coil during charging, which will cause the metal to generate high temperature and cause a fire.
2. If the wireless charger does not charge the mobile phone after connecting the power adapter, please unplug the USB-C Connector from the Power Adapter, then try to restart the wireless charger, or try restarting the phone.

[Manualsum](#)

3. In order to better fix the mobile phone, we recommend you to remove the phone case, or use a thin phone case.
4. The thickness of the phone case is recommended not to exceed 5mm
5. Please keep out of reach of children
6. Do not disassemble, open or repair the product by yourself without professional help, and dropping or hitting it strongly also is prohibited

Official website: www.minthouz.com

Technical support: support@minthouz.com