

[Xiamen Lujiang Technology Mini Pocket Printer User Manual](#)

[Manualsum](#), simplified manuals

Table of Contents

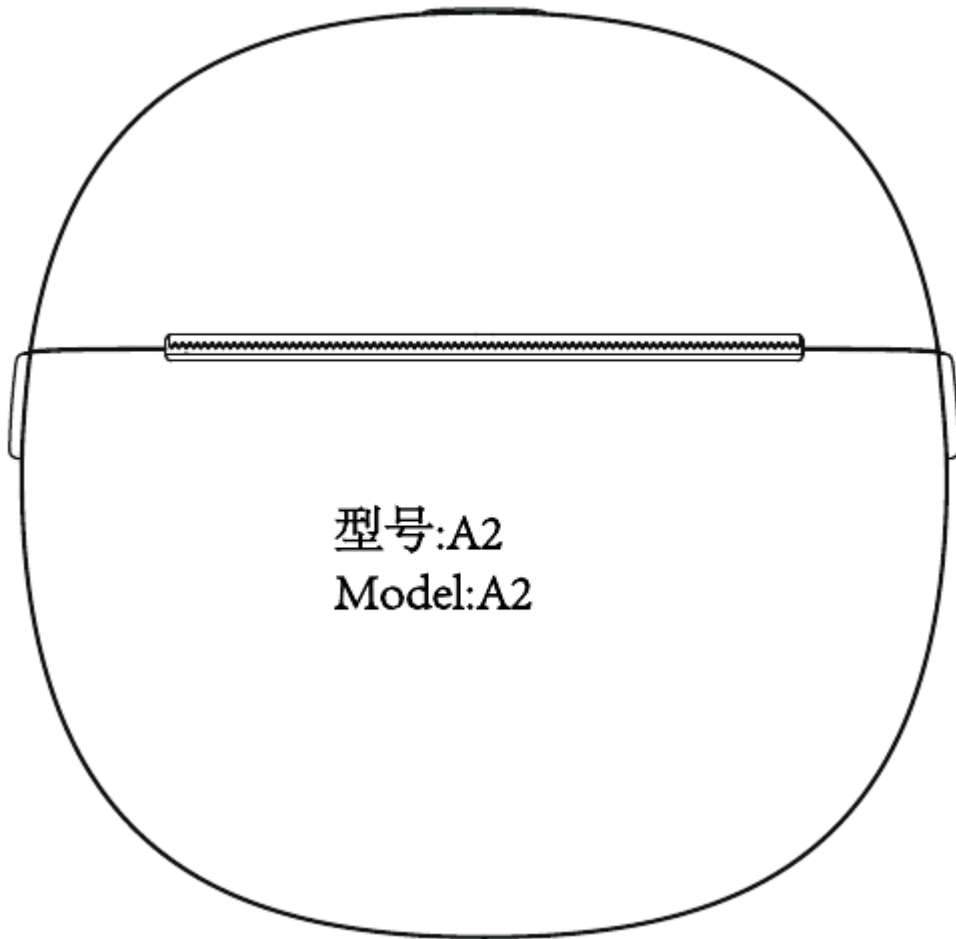
- [Xiamen Lujiang Technology Mini Pocket Printer User Manual](#)
 - [First time using](#)
 - [Product introduction](#)
 - [Power indicator status](#)
 - [App download and settings](#)
 - [Mobile Download](#)
 - [Settings](#)
 - [Replacement of consumables](#)
 - [Safety and precautions](#)
 - [Trouble shooting guide](#)
 - [Warnings](#)
 - [Safety and precautions](#)

Xiamen Lujiang Technology Mini Pocket Printer User Manual

Xiamen Lujiang Technology Mini Pocket Printer User Manual

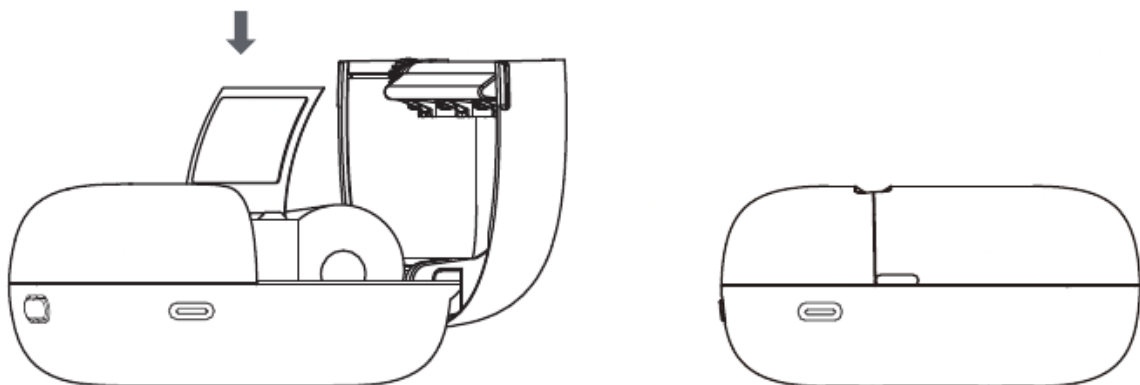
FCC id: [2A74AA2](#)

Mini Pocket Printer



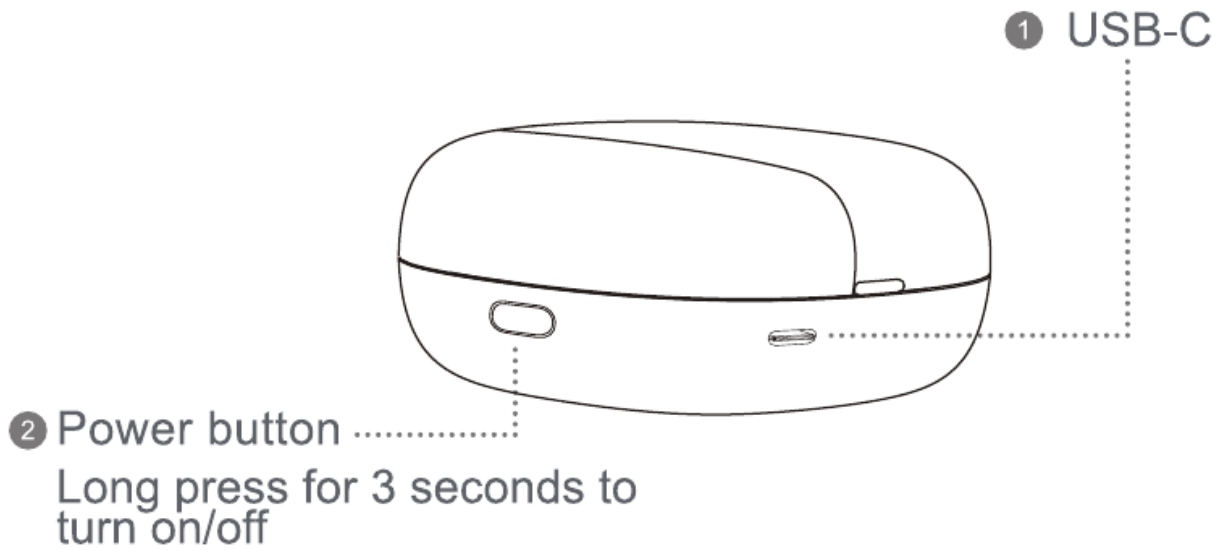
First time using

Please open the paper compartment cover and put the printing paper on top of the printer. After closing the paper compartment cover, the printing paper will expose a short section of the printer, as shown in the figure:



Only one side of the printing paper can be printed. Please place the printing paper in the correct direction.

Product introduction



Power indicator status

Steady green light: power on/standby/charge completed

Red light is always on: charging/out of paper/overheating/opening the cover

Flashing red: low battery will cause light printing effect, please charge in time

App download and settings

Mobile Download

Search "Luck Jingle" in the App Store



iOS



Android

Settings

Double-click the power button, the printer will print out the QR code of the bound device; add a device through the App, scan and scan the QR code to connect to the printer

(**Note:** Do not search for Bluetooth printer connection in the Bluetooth settings of the mobile phone)

In the startup state, click the power button six times to calibrate the label

Replacement of consumables



1. Open the cover: see the direction of the arrow as shown in the figure, and pull the paper compartment cover up to open the cover
2. Consumables: as the arrow shown, put the heat sensitive surface of the paper on the same side as the thermal print head

Safety and precautions

1. There is a built-in lithium battery, please do not use it in the environment with temperature higher than 40 C ; keep away from fire and other heat sources, and do not place it in the hot sun, such as closed car;
2. Children should be charged and used under the supervision of adults. After full charge, please make sure to pull out the charging cable in time to prevent overheating, short circuit or fire;
3. Do not put the product in fire or water to avoid battery short circuit or fire or burn;
4. The operating temperature range is 0 C to 40C, please do not exceed the recommended temperature range.

Trouble shooting guide

1. without any print content on the paper when printing Check the paper is loaded in rightdirection; If not, print the self-test page and check; If the self-test page cannot be printed, the printer is malfunctioning; If the self-check page is correct, check the paper or App.
2. Print blurry Check the default print density for the best print results; Check if there are horizontal lines or only part of the content can be

printed; Check to see if the print head is blocked and clean with alcohol; If the print quality is not good, please use the original paper series.

3. A paper shortage error message is displayed Check that the printer is out of paper; If not, make sure the cover is locked correctly (loose pages may cause the printout to shift or Paper test failed).
4. Printing stops unexpectedly In order to ensure the reliability of the printer, multiple protection instructions are designed; The printer will stop working due to lack of paper, data errors, excessive temperature, or low battery power; Follow the prompts on the application to analyze the problem.

Warnings

- This product does not include a power adapter as standard. If you use a power adapter for charging, you should purchase a 5V/1A power adapter that has obtained CCC certification and meets the standard.
- This product is a professional product, please use the original type of battery, if you replace the original type of battery or use the wrong type of battery, there will be explosion risk, be sure to follow the instructions to dispose of the used battery.

Safety and precautions

1. Do not use the carp battery in the environment with the temperature higher than 40°C, do not go near the open flame and other heat sources, do not place in the hot sun, such as unoccupied, closed car;
2. Children should be charged and used under the supervision of adults. After full charge, ensure that the charging cable is removed in time to prevent overheating and short circuit or fire.
3. Do not place the product in fire or water to avoid battery short circuit or fire or burn; Operating temperature range is 0°C to 40 °C, please do not operate outside the recommended temperature range;

Do not touch the print head directly to avoid damage, especially do not touch the print head immediately after printing, in case of overheating and scalding.