

# [alljoy Eye Massager User Manual](#)

## [Manualsum](#), simplified manuals

### Table of Contents

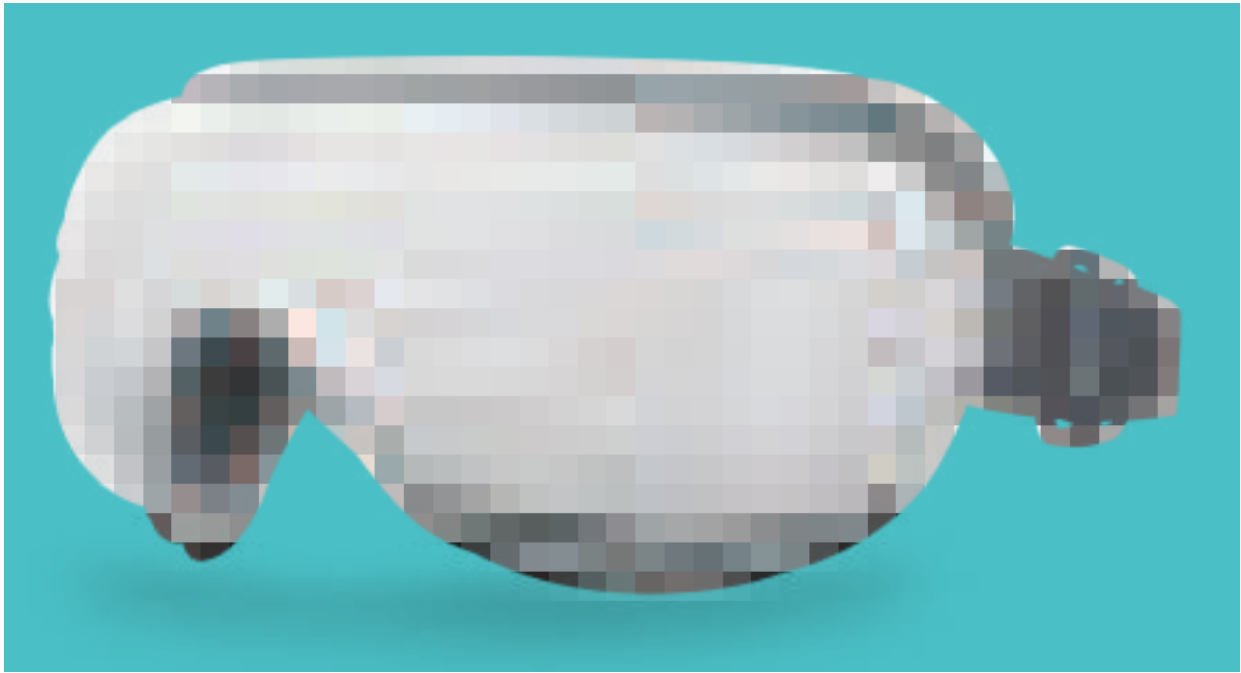
- [alljoy Eye Massager User Manual](#)
  - [Important Safety Instructions](#)
  - [About the Product](#)
    - [Specifications](#)
    - [Package Contents](#)
    - [Product Structure](#)
  - [Using the Product](#)
    - [Wearing the device](#)
    - [Operation Instruction](#)
    - [Charging the device](#)
  - [Cleaning and Maintenance](#)
  - [Troubleshooting Guide](#)
  - [Contact Us](#)

# alljoy Eye Massager User Manual

alljoy Eye Massager User Manual

Xiamen Xuemi Technology Eye massager User Manual

FCC id: [2BKFQ-AJREM2402](#)



## **Eye Massager**

**Model:** AJREM2402

Thank you for purchasing the ALLJOY Eye Massager! Please read this instruction manual carefully before using the product and follow the instructions during use. ALLJOY holds no responsibility for injuries caused by misuse or negligence in following the instructions outlined.

Please keep this manual for future reference.

## **Important Safety Instructions**

Please read all the contents of this manual and operate the product according to the instructions.

**DANGER** – To reduce the risk of electric shock:

1. Always unplug the charger from the electrical outlet after charging the device.
2. Never use pins or other metallic fasteners on this product.

**WARNING** – To reduce the risk of fire, electric shock, or injury to persons:

## **Please consult your doctor before use if you are:**

- Children under 8
  - Pregnant women
  - Allergic to leather material
  - People with brain conditions or any mental disorders
  - People who have undergone eye surgeries or have eye conditions, such as glaucoma, cataract, or retinal detachment
  - People with swelling or wounds around the eye area
  - People who have concerns over health
1. If you feel unwell or have any unusual discomfort, please stop using the device immediately.
  2. Children, disabled people, and the elderly should only use this product when properly supervised.
  3. There is a heating function in this device, therefore, people who are not sensitive to heat should take extra care about using it.
  4. The product is intended for personal use; it is not intended to replace medical care or medical devices.
  5. Remove glasses, contact lenses, hairpins, hair accessories, among others, before using the device.
  6. Start the eye massager AFTER putting it on, in order to avoid damage to the airbag due to over pressure.
  7. You must have your eyes closed while massaging.
  8. Do not use the device for more than 20 minutes each time.
  9. DO NOT disassemble the product.
  10. DO NOT impact or squeeze its interior lithium battery or expose it to fire.
  11. DO NOT use if the battery has been immersed in water.
  12. DO NOT use in high temperatures or humid environments. Avoid direct exposure to the sun.
  13. Only use the charger (DC 5V 1A-2A, not included) to recharge the device.
  14. Avoid contact with sharp objects.
  15. Do not use the device while driving or walking.
  16. Do not use the device while charging.
  17. Do not use the device with wet hands.
  18. Never operate this device if it is not working properly, has been damaged, or dropped into water.
  19. Do not use the device if, while the battery is in use or charging, it emits an odor, gives off excessive heat, or shows signs of deformation.
  20. Do not operate under a blanket or pillow. Excessive heating can occur and cause fire, electric shock, or injury to persons.

## **About the Product**

### **Specifications**

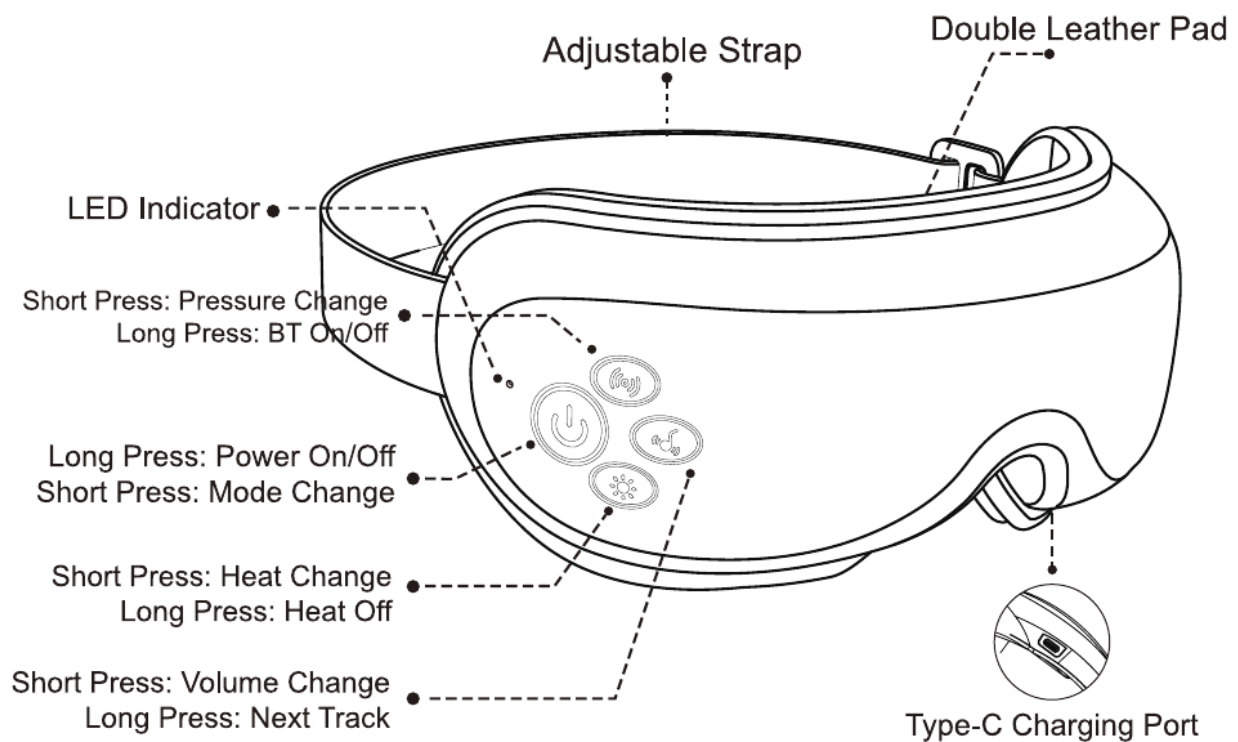
- **Product Name:** Eye Massager
- **Model:** AJREM2402
- **Input:** 5V= 1A

- **Rated Voltage:** 5V—
- **Rated Power:** 5W
- **Timer:** 15 Minutes
- **Product Weight:** 0.8lb
- **Product Size:** L8.1 x W3.8 x H1.4 inch
- **Battery Capacity:** 1100mAh
- **Charging Time:** 2-3 hrs

## Package Contents

- 1 x Alljoy Eye Massager
- 1 x Type-C USB Cable
- 1 x Storage Bag
- 1 x User Manual

## Product Structure



alljoy Eye Massager User Manual

## Using the Product

### Wearing the device

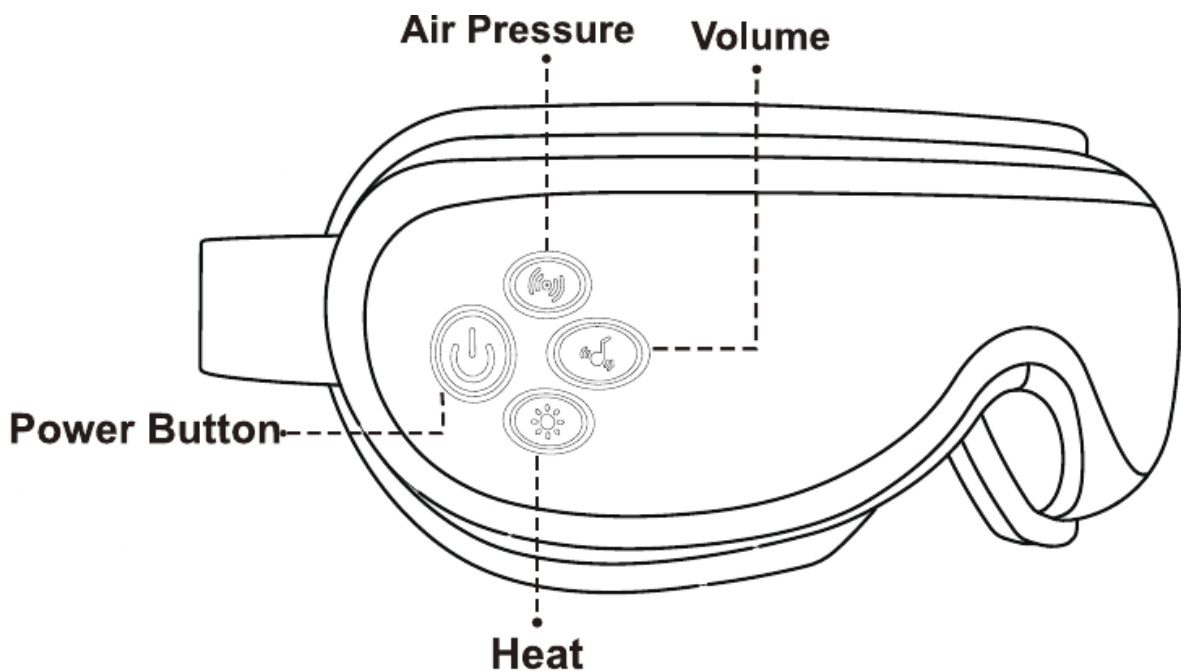
- Remove glasses, contact lenses, hairpins, hair accessories, among others, before using the device.
- Make sure the device is turned off. Do NOT turn on the eye massager before putting it on, in order to avoid damage to the airbags due to over pressure.

- **c.** Wear the device and ensure it fits your eyes properly. Adjust the elastic band to the most comfortable and secured position.
- **d.** Press and hold the power button for about 2 seconds to turn on the eye massager.



**ATTENTION: It is NOT recommended to use the device for more than 20 minutes at a time.**

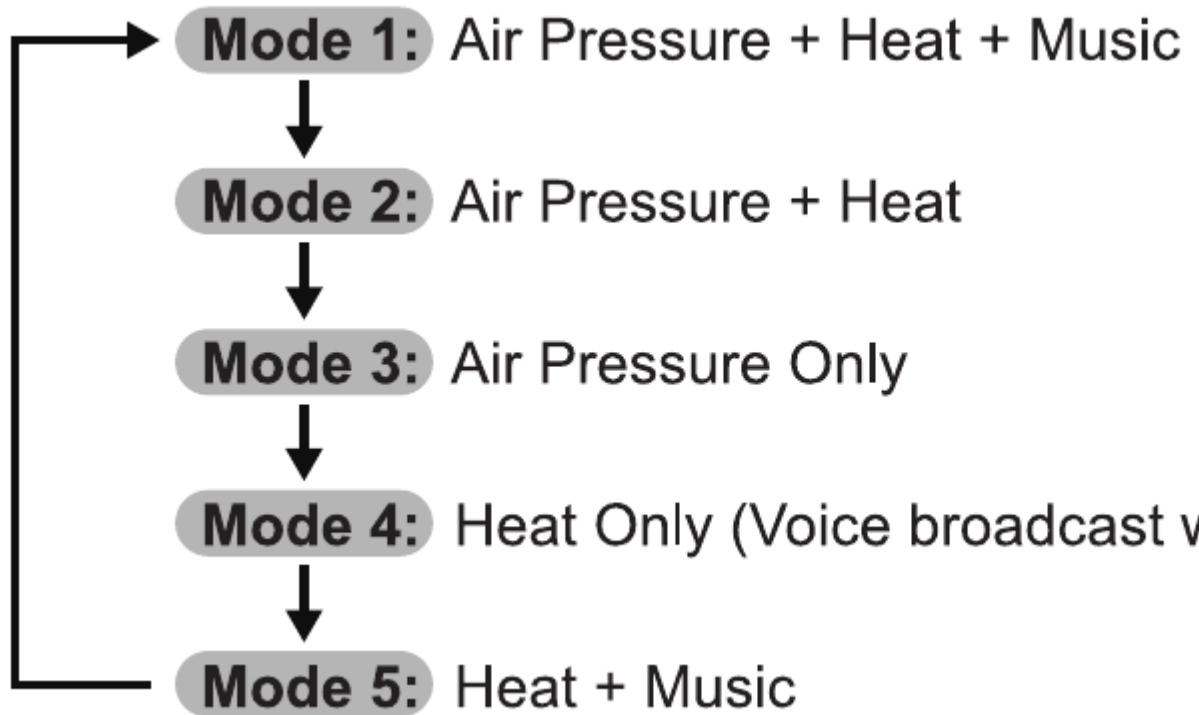
### Operation Instruction



Press and hold the Power button for about 2 seconds to turn on/off the device. (Heat + Music) will be activated by default.

Short press again to cycle through the following modes. Audio voice will con





Short press to cycle through Soft Pressure (Default) Moderate Pressure/Strong



Long press to turn on/off the BT connection. Short press to cycle through High Temperature /Low Heat.

**Long press to turn off the heating function.**



Short press the button to adjust the music volume: Medium Volume (Default) Volume/Low Volume

Long press the button to change the built-in music tracks: Relaxing Ambient Relaxing—Soft River—Emotional Inspiring Piano

## Wireless / BT Music

BT Paring Name: ALLJOY EYE MASSAGER

BT Connection: Turn on your smartphone's BT. Search and connect to "ALLJOY EYE MASSAGER" to play your own music on the device. Once paired successfully, the device will be automatically connected to BT when it is turned on each time.

**Note:** After BT connection, the device will not play built-in music. Long press the Volume button to play the next song.

BT Disconnection: Long press the Air Pressure button to turn on/off the BT connection.

## 15-Minute Auto-off Timer

The timer will automatically shut the device off after 15 minutes of continuous use (the duration of one massage cycle).

## Charging the device

The device comes partially charged. Please fully charge it before first use.

### Low Battery Alarm

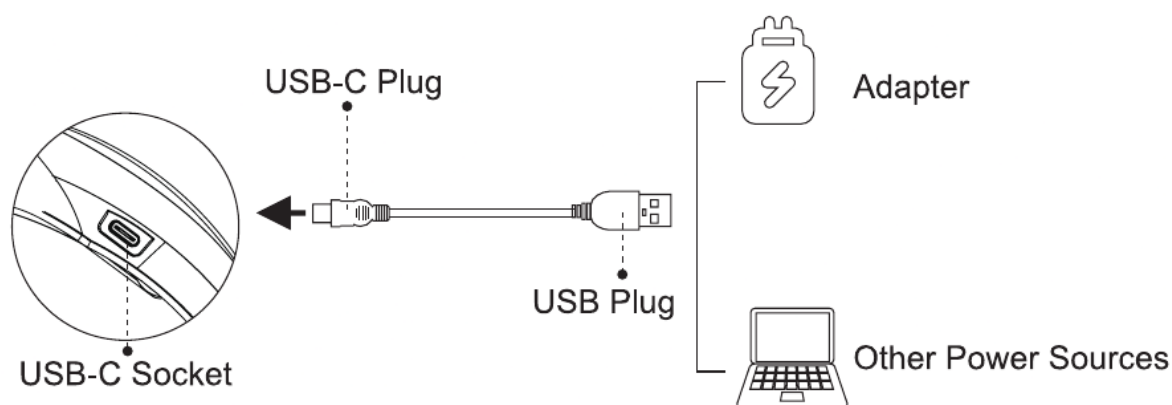
When the device is in low battery, the power indicator will flash red slowly and is accompanied by an alert notification “Low power, please charge.” It will automatically shut off if the battery runs out.

### Charging

Charge the device using the Type-C cable and a DC 5V 1A-2A mobile charger (not included). The indicator will remain solid red while the device is being charged.

#### Note:

1. The device will not work while being charged.
2. It takes about 2-3 hours to fully charge the device. Once charging is complete, the power indicator will remain solid blue.
3. If the charging current or voltage is less than 5V/1A, charging time will be longer.



## Cleaning and Maintenance

1. Turn off the device before cleaning it. Use a soft cotton cloth dampened with mild detergent to wipe it clean.
2. Do not spray water on the device or submerge it in water or any other liquid.
3. Do not expose the device to direct sunlight or high temperature. If the device has not been used for over 3 months, please recharge it before use.
4. Do not disassemble the device by yourself. Otherwise, it may cause damage and void the manufacturer's warranty.

5. Battery life can vary by application and/or operating conditions. To prolong its lifespan, if the device will not be used for a long period, please fully charge it before storing it. Then, please keep it powered off and charge it every two months.

## Troubleshooting Guide

Problem	Cause	Solution
There is a mechanical or air sound coming from the device.	Normal sound of air inflation or air pressure.	No action required.
The device turns off automatically. / The device does not turn on. / Buttons are not responsive. / Air pressure is weak.	<ol style="list-style-type: none"> <li>1. Low battery</li> <li>2. Built-in 15mins auto-off timer is activated.</li> </ol>	<ol style="list-style-type: none"> <li>1. Charge the device.</li> <li>2. Turn on the device again.</li> </ol>
The device cannot be charged.	<ol style="list-style-type: none"> <li>1. Using other types of charging cables</li> <li>2. Using improper charger with its voltage not as indicated</li> <li>3. Low battery protection is triggered due to a prolonged period of not being charged.</li> </ol>	<ol style="list-style-type: none"> <li>1. Use the Type-C charging cable.</li> <li>2. Use the DC 5V 1A-2A charger only.</li> <li>3. Contact ALLJOY after-sales service team.</li> </ol>
No heat	<ol style="list-style-type: none"> <li>1. A mode without the heat function is selected.</li> <li>2. Built-in heat protection is triggered due to excessive use.</li> <li>3. "Low Heat" mode is selected and not as much heat can be felt as in the High Heat mode.</li> </ol>	<ol style="list-style-type: none"> <li>1. Select a mode with the heat function.</li> <li>2. Turn it off for a while to cool down.</li> <li>3. Press Heat Button to choose a more suitable setting.</li> </ol>
No air pressure		



No broadcast or music

1. A mode without the air pressure function is selected.
2. "No Pressure" mode is selected.

1. Select a mode with the air pressure function.
2. Press Air Pressure Button to choose Soft Pressure/ Moderate Pressure/ Strong Pressure/No Pressure.

1. Volume level is low or volume level is at no volume.
2. Heat Only mode is selected, in which broadcast or music will be disabled.

1. Press the Volume Button to adjust volume level. If BT is connected to play your own music, please check first if the volume on the phone is too low. Then, please check if the phone is playing music.
2. Do not choose the Heat Only mode if you need voice broadcast or music.

## Contact Us



If you need any assistance or help, please contact us. We will do our best to provide you with a viable solution.

**Web:** [www.ialljoy.com](http://www.ialljoy.com)

**Email:** [help@alljoy.com](mailto:help@alljoy.com)



This marking indicates that this product should not be disposed with other household wastes throughout the EU. To prevent possible harm to the environment or human health from uncontrolled waste disposal, recycle it responsibly to promote the sustainable reuse of material resources. To return your used device, please use the return and collection systems or contact the retailer where the product was purchased. They can take this product for environmental safe.

alljoy Eye Massager User Manual