

BASSJAXX BT CD PLAYER SPEAKER User Manual

Manualsum, simplified manuals

Table of Contents

- [BASSJAXX BT CD PLAYER SPEAKER User Manual](#)
 - [Instruction Manual](#)
 - [Product Overview](#)
 - [Package Contents](#)
 - [Technical Specifications:](#)
 - [Power your record player](#)
 - [Power ON/OFF](#)
 - [Adjust the Volume](#)
 - [Mode Change](#)
 - [CD Mode](#)
 - [Bluetooth \(BT\) Speaker Mode](#)
 - [FM Mode](#)
 - [FAQ](#)
 - [SAFETY INSTRUCTIONS](#)

BASSJAXX BT CD PLAYER SPEAKER User Manual

BASSJAXX BT CD PLAYER SPEAKER User Manual

Zeeva International BT CD PLAYER SPEAKER User Manual

FCC id: [2ADM5-SP-0090](#)

Instruction Manual

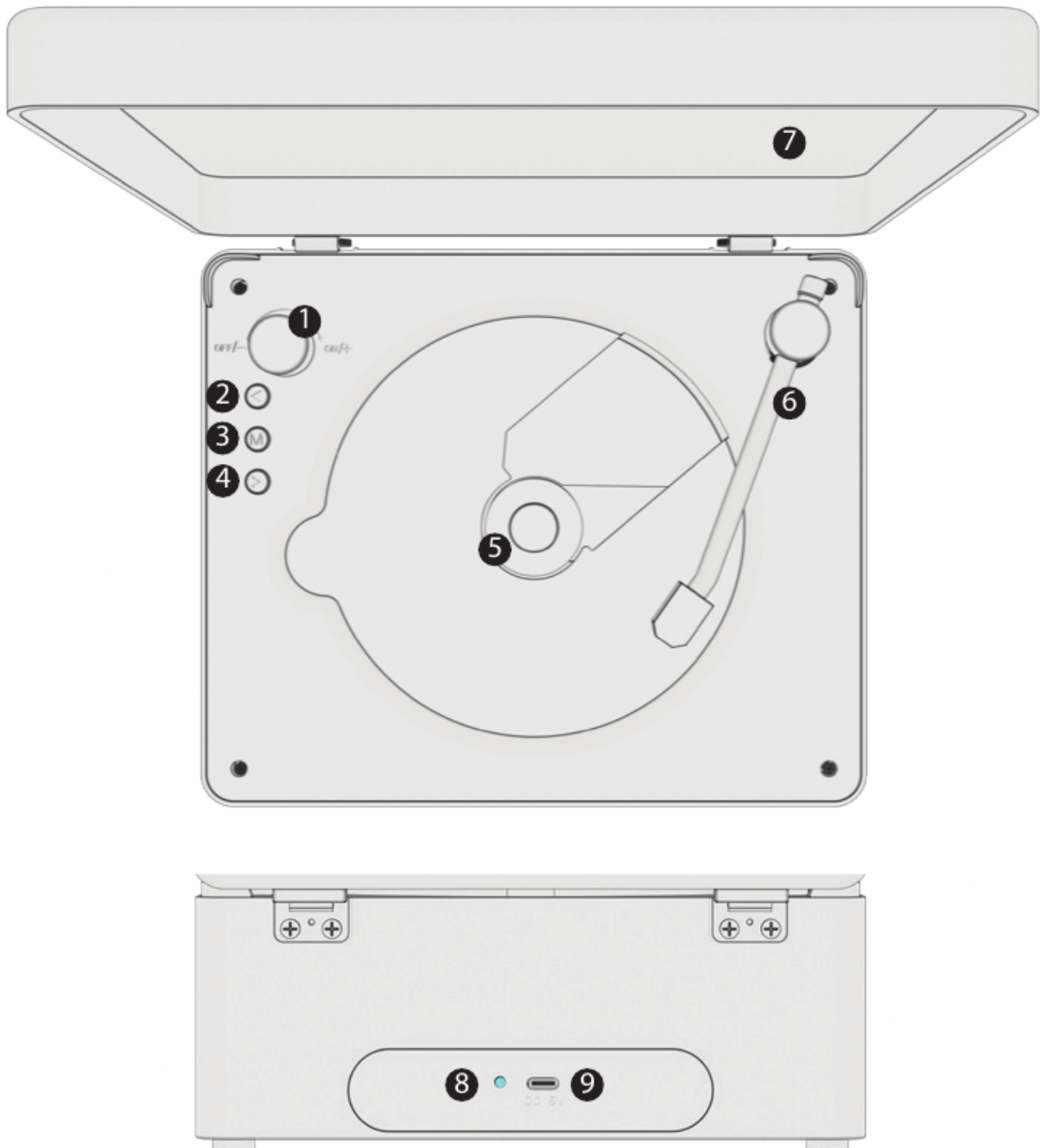
Thank you for purchasing the CD Player.

This manual provides more information about this CD Player, please read the instructions before using.

[Manualsum](#)



Product Overview



1. Power ON/OFF & Volume Dial
2. Previous Song/Channel Button
3. Mode (CD, Bluetooth, FM)/Play/Pause/ FM Scan Button
4. Next Song/Channel Button
5. Spindle Platter
6. Decoration Tonearm
7. Dust Cover
8. LED Indicator
9. USB Type-C Power Port

Package Contents

1(One) CD Player 8in. x 3.8in. x 7in. (20.3cm x 9.7cm x 17.7cm)

1(One) USB Type-C Power Cable 19.7in. (50cm)

1(One) Instruction Manual

Technical Specifications:

Driver Diameter: 45 mm x 2

Impedance: 4 Ohms

Bluetooth Range: 32 Feet

Bluetooth Version: 5.3

Power Supply: DC 5V / 2A

USB Type-C Power Cable (Included)

FM Radio Mode

Power your record player

1. Use the USB Type-C Power cable provided with this record player.
2. Connect the USB Type-C Power plug to USB Type-C port on the record player, then connect the USB plug to a USB port on a wall adapter to power the record player.

NOTE:

- You must select a qualified USB adapter from a regular manufacturer.



Power ON/OFF

Turn the Power ON/OFF & Volume Dial clockwise to switch on the unit.

LED indicator will be on with Blue.

Turn the Power ON/OFF & Volume Dial anticlockwise, until you hear a “click” sound to switch off the unit.

The LED indicator will be off.

[Manualsum](#)

Adjust the Volume

Rotate the Power ON/OFF & Volume Dial clockwise/anticlockwise to adjust the volume.

Mode Change

Long press "Mode" button to switch between CD Player, Bluetooth Speaker and FM Radio modes.

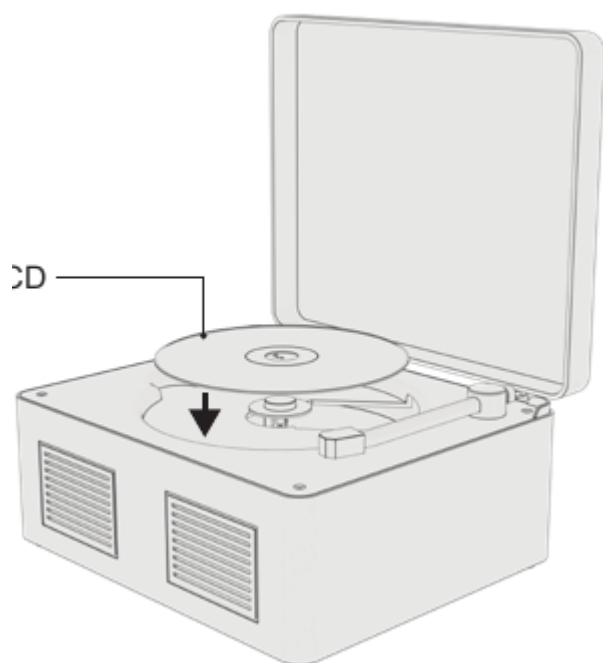
Power On will be in CD Player mode, different Beep sounds represent different mode.

Sequency: CD Player(1 Beep) -> Bluetooth Speaker(2 Beeps) -> FM Radio(3 Beeps) -> CD Player(1 Beep).

CD Mode

NOTE: Please turn off the CD Player and make sure the Spindle Platter was completely stopped before mount or unmount the disc.

1. Place the unit on a flat and level surface. The selected location should be stable and free from vibration.
2. Open the Dust Cover and put the Decoration Tonearm aside.
3. Mount the disc on the Spindle Platter
4. Short press the "M" button to play or pause the disc.
5. Short press the "<" or ">" to previous or next tracks.
6. Press and Hold the "<" or ">" to fast forward or fast reverse the track.
7. Use the Volume knob to control the volume.
8. Switch to BT mode will stop the CD player.



Bluetooth (BT) Speaker Mode

1. Switch to BT speaker mode
2. Connect device to BT speaker, pairing name: SP-0090 SPK
3. After connected, play music via device
4. Under BT speaker mode, both Volume knob and BT device will control the volume
5. Short press "M" to play or pause music
6. Short press "<" button for previous song
7. Short press ">" button for next song
8. Switch to FM mode will turn off the BT speaker

FM Mode

1. Switch to FM mode
2. Double press "M" button to scan and save FM channel automatically, FM88.00-108.00
3. Short press "<" or ">" button switch channel between saved channels
4. Short press "M" button to mute or unmute
5. Use the Volume knob to control the volume
6. Switch to CD mode will turn off the FM radio

FAQ

- If the CD player didn't work:

Ensure that the USB power cable is connected between player and USB adapter. If you use a power outlet, ensure that the power supply is connected securely and the outlet works.

- If the Spindle Platter didn't run:

Ensure the power is on by turn Power On/Off & Volume Dial to clockwise with the LED indicator is on. Ensure it is in CD mode. When power on, it is default in CD mode.

- What do I do if my CD is skipping:

Ensure that the CD Player is setup on a level and sturdy surface. It is also important to ensure your CDs are kept clean. If the issue persists it is recommended to test with other CDs.

SAFETY INSTRUCTIONS

1. Keep the product away from excessive heat sources and direct sunlight. Do not place it on or in heating devices, such as microwave ovens, stoves or radiators. Do not use this product near water.
2. When closing the dust cover, close it completely. Do not open the dust cover during playback.

3. This product should be operated only by the type of power source indicated on the marking label or in this instruction manual.
4. Keep the product dry. Avoid dusty, damp and dirty environments. Using the product in these environments may damage the circuitry.
5. Do not attempt to disassemble or remanufacture the product, insert foreign objects into it, or immerse or expose it to water or other liquids. Doing so may lead to fire, explosion, or other hazards.
6. Product should be moved with care. Quick stops, excessive force, and uneven surfaces may cause the product damaged.
7. Unplug the product during lightning storm or when unused for long periods of time.