

# **TITAN ELITE WIRELESS GAMING HEADSET USER MANUAL**

## **Manualsum**, simplified manuals

### Table of Contents

- [TITAN ELITE WIRELESS GAMING HEADSET USER MANUAL](#)
  - [Introduction](#)
    - [Safety Rules](#)
  - [Packaging Contents](#)
    - **INCLUDES:**
  - [Headset Diagram](#)
  - [How to use](#)
    - [General Functions](#)
    - [Pairing to Mobile phone or other device](#)
    - [Pairing by USB Adapter \(2.4 GHz\)](#)
    - [Connected with 3.5mm Audio Jack](#)
    - [Charging your headset](#)
  - [Product Specification](#)
  - [FAQ](#)
  - [Battery Statement](#)

# **TITAN ELITE WIRELESS GAMING HEADSET USER MANUAL**

TITAN ELITE WIRELESS GAMING HEADSET USER MANUAL

Zeeva International Limited

([2ADM5-GH-1003](#))



## Introduction

Congratulations, and thank you for choosing the Elite Wireless Gaming Headset. This manual will help you operate the

Elite Wireless Gaming Headset, but firstly you should familiarize yourself with the Bluetooth functionality of your mobile phone or other devices before using the Elite Wireless Gaming Headset.

## Safety Rules

1. Please follow the rules depicted in this manual closely to ensure your safety. Before using this Bluetooth headset, we would strongly encourage you to read through this user manual.
2. Be more wary of any edges, uneven surfaces, metal parts, accessories and its packaging so as to prevent any possible injury or damage.
3. Do not modify, repair or dismantle this Bluetooth headset. Doing so may result in fires, electric shocks, complete breakdown of this Bluetooth headset, etc. All are not covered under warranty.
4. Do not use an diluent or volatile liquid to clean the Bluetooth headset. [Headset sum](#)

5. Do not use the Bluetooth headset in a hazardous location.

## Packaging Contents



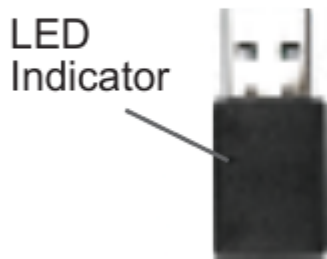
1 X Elite Wireless Gaming Headset



1 X USB Type-C Charging Cable



1 X 3.5mm Audio Cable



LED Indicator

1 X USB Adapter



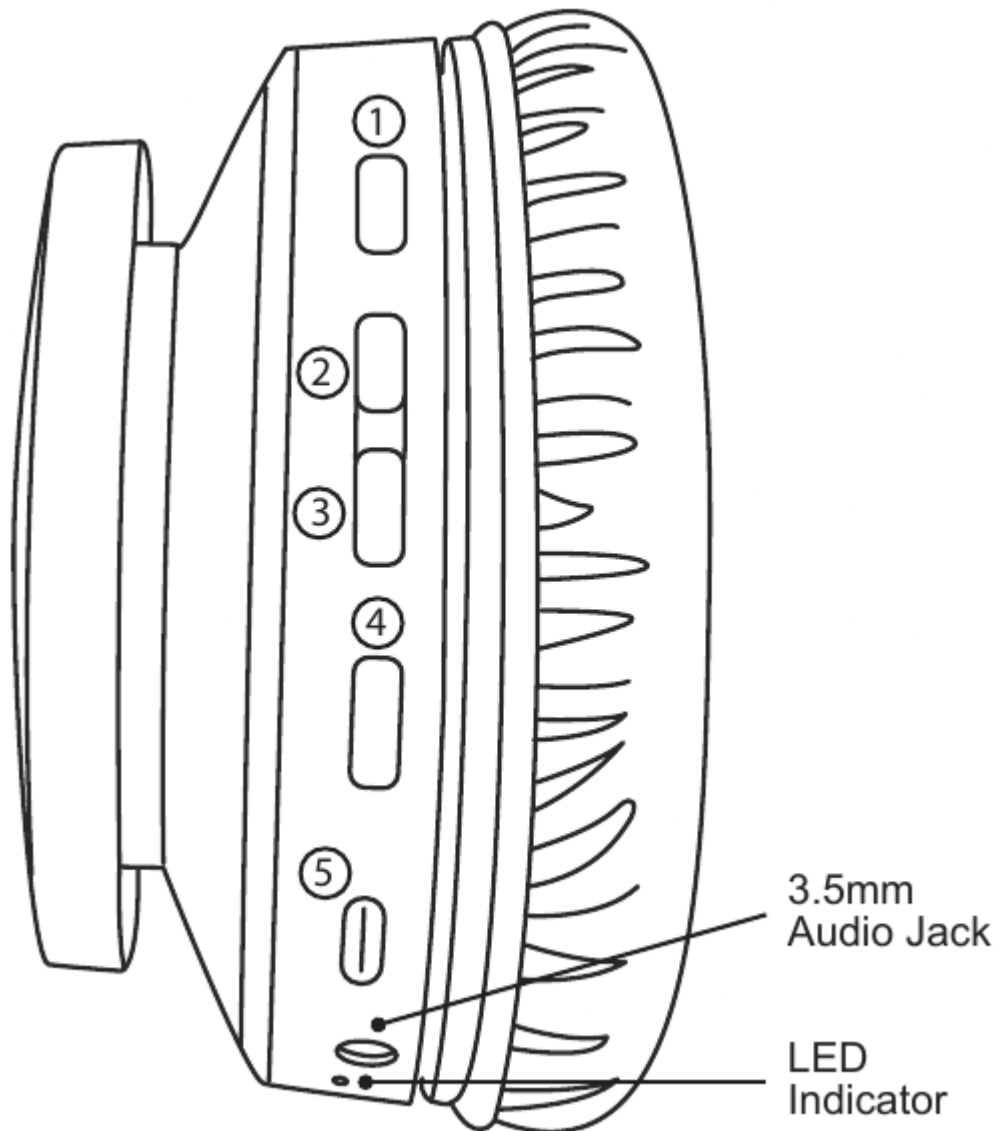
1 X Instruction Manual

### INCLUDES:

- 1 (One) Wireless Gaming Headset: 6.86in. x 7.69in. x 3.49in. (17.42cm x 19.53cm x 8.86cm)
- 1 (One) USB Adapter: 0.65in. x 1.36in. x 0.32in. (1.65cm x 3.45cm x 0.81cm)
- 1 (One) USB Type-C Charging Cable: 7.9in. (20cm)
- 1 (One) 3.5mm Audio Cable: 39.4in. (10cm)
- 1 (One) Instruction Manual

# Headset Diagram

\*\*Left Side of the headset



1. Bluetooth / Adapter Mode Button
2. Volume Up / Next Song Button
3. Volume Down / Previous Song Button
4. On / Off Button / Play / Pause / Button Answer / End Call Button
5. USB Type-C Charging Port

## How to use

### General Functions

#### Desired Result

#### Required Action

Press and hold the On/Off Button for 3 seconds. After turning on, the LED indicator flashes red/blue.

[Manualsum](#)

## **Turn on & enter the pairing mode**

<b>Mode change</b>	Press and hold the Mode Button for 3 seconds to switch between Bluetooth Mode and Adapter Mode. A prompt sound will be heard from the headset.
<b>Pairing with Bluetooth</b>	Use a mobile phone with Bluetooth function or other Bluetooth devices to perform necessary pairing action. Press and hold the Mode Button for 3 seconds to switch to Bluetooth Mode. After pairing, LED indicator will turn in blue.
<b>Turn off</b>	Press and hold the On/Off Button for 3 seconds.
<b>Charging</b>	Plug the USB Type-C to the USB Type-C port. When charging, the LED indicator turns red. After full charging, the LED indicator turns off.
<b>Answering a Call</b>	Press On/Off button to answer phone call, press On/Off button again to end call. Short press 2 times to reject call.
<b>Voice Assistant</b>	Triple press On/Off button.
<b>Microphone Mute/Unmute</b>	Press Mode button once. (Only available in Bluetooth and Adapter Mode)

## **Pairing to Mobile phone or other device**

To use your Bluetooth headset, you must first pair your headset with a mobile phone or other Bluetooth device. Once your Bluetooth headset is paired to a specific mobile phone, they will remain paired and automatically recognize each other whenever they are within range.

### **Pairing to a phone and Entertainment:**

- Turn on your phone and ensure the Bluetooth function is activated.
- Turn on the headset, enter the Bluetooth pairing mode.
- Search your Bluetooth devices on your phone by following the phone's instructions. Refer to your phone's user manual for more information.
- After a few seconds the phone will list the GH-1003" as a discover device. Select it and follow your phone's instructions to select this pairing.
- Your phone will confirm the pairing, and then press Yes/OK.

### **Pairing by USB Adapter (2.4 GHz)**

Plug the USB Adapter to the USB Port of a host device(Such as a computer). Press and hold the Mode Button for 3 seconds to switch to Adapter Mode. The Headset will be paired automatically in few seconds.

## Connected with 3.5mm Audio Jack

Use the 3.5mm Audio Cable provided by the headset, plug any end of the 3.5mm Audio Cable to the 3.5mm Audio Jack of the headset, and then plug the other end to an Audio device.

**Note:** The buttons on the headset will be disabled when connected with the 3.5mm Audio Cable.

## Charging your headset

For your safety, please always use an appropriate 5V input charger/Adapter to charge the product. **DO NOT USE** Quick Charging USB Adapter to charge the product, as it might damage the product.

Use the USB Type-C charging cable accessory provided with this headset. Connect the USB Type-C plug to the USB Type-C port on the headset positioned at® in headset diagram on page 3.

Connect the USB plug to a USB port on wall adapter to activate charging.

\*\*Make sure to keep the headset charging for a minimum of 2 hours before initial use.



### Warning:

- You must select a qualified charger from a regular manufacturer.
- You must charge the Bluetooth headset if it has not been used for more than 6 months.

**CAUTION: The USB Type-C charging cable included with this item is intended for use with this product. Only use the included USB Type-C charging cable to charge this product.**

USB Type-C Charging Cable rating 5V/1A Max.

## Product Specification

Tri-Mode Wireless Gaming Headset

**Connectivity Technology:** Wireless, wired

**Wireless Technology:** Bluetooth/2.4 GHz radio frequency Boom microphone

**Battery:** 500 mAh, 3.7V

**Run time:** 28 hrs (Bluetooth), 12 hrs (2.4GHz) (based on 50% volume).

**Driver diameter:** 40 mm

**Impedance:** 32 Ohms

**Sensitivity:** 100 dB +/- 3 dB

**Frequency response:** 20 Hz - 20 kHz

**Mic Sensitivity:** - 38 dB +/- 2 dB

**Mic Impedance:** 2.2k Ohms

**Mic Directionality:** Omni-directional

**Plug type:** 3.5 mm cable

**Control button:** Volume+/Next track, Volume-/Previous track, Play/Pause/Power on/off, Mode/mic on/off

**Accessory:** USB Type-C Charging cable (7.9 in.), 3.5mm Audio Cable (39.4 in.), USB Adapter

## FAQ

**1.** Why is there no power even when the headset is turned on ?

**Ans:** Ensure the battery has been charged up to 2 hour for initial use.

**2.** There is no sound when playback.

**Ans:** Check the connection between headset with phone or computer, if the connection is not established, please connect again. Make sure the headset paired and connected with your target phone or other master device.

## Battery Statement

Safety instructions for the lithium battery and charging the product

- The input voltage to the product is 5V 1A.
- In order to charge the product in safe manner and reliable conditions, please only adopt certified appropriate charger/ adapter for charging the product.
- Only charge the product at ambient temperatures between 10 °C / 50 °F and 40 °C / 104 °F.
- Do not heat above 70 °C / 158 °F, e.g. Do not expose to sunlight or throw into fire.
- Switch off the product after use.
- Please note that we won't take any responsibility for any wrong operation (e.g. Voltage higher than 5V) as this may result in severe [Manualsum](#)

injury or loss of property, and we cannot control the operating process during the time the user using this product.

- In extreme cases, abuse or misuse of Lithium battery pack can lead to explosion, heat generation, fire development or smoke development.

The Bluetooth® word mark and logos are registered trademarks owned by Bluetooth SIG, Inc. and any use of such marks by 1616 Holdings, Inc. is under license. Other trademarks and trade names are those of their respective owners.