

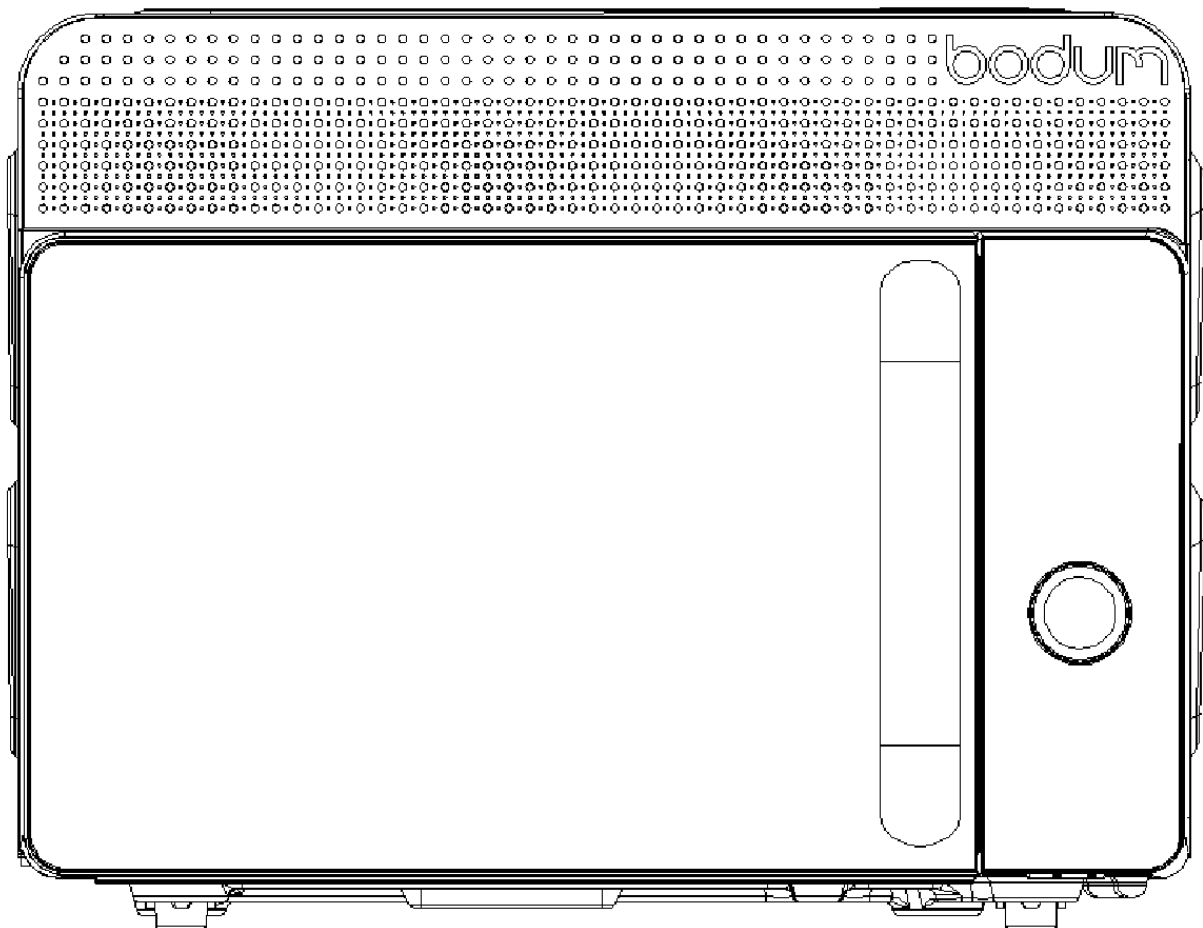
Zhongshan Donlim Weili Electrical Appliances YI4DWB20PAS03 Microwave Oven User Manual

Manualsum, simplified manuals

Table of Contents

- [MICROWAVE OVEN INSTRUCTION MANUAL](#)
 - [GROUNDING INSTRUCTIONS](#)
 - [INSTALLATION](#)
 - [CLEANING](#)
 - [TIPS FOR CLEANING](#)
 - [PRODUCT INSTRUCTION](#)
 - [OPERATION OF CONTROL PANEL](#)
 - [UTENSILS GUIDELINE](#)
 - [COOKING TIPS](#)
 - [MAINTENANCE](#)
 - [SERVICING SAFEGUARDS](#)

MICROWAVE OVEN INSTRUCTION MANUAL



B20PAS03-A70

GROUNDING INSTRUCTIONS

This appliance must be grounded. In the event of an electrical short circuit, grounding reduces the risk of electric shock by providing an escape wire for the electric current.

This appliance is equipped with a cord having a grounding wire with a grounding plug. The plug must be plugged into an outlet that is properly installed and grounded.

WARNING — Improper use of the grounding can result in a risk of electric shock. Consult a qualified electrician or serviceman if the grounding instructions are not completely understood, or if doubt exists as to whether the appliance is properly grounded, and either:

1) If it is necessary to use an extension cord, use only a 3-wire extension cord that has a 3-blade grounding plug, and a 3-slot receptacle that will

accept the plug on the appliance. The marked rating of the extension cord shall be equal to or greater than the electrical rating of the appliance, or

2) Do not use an extension cord. If the power supply cord is too short, have a qualified electrician or serviceman install an outlet near the appliance.

For a permanently connected appliances:

This appliance must be connected to a grounded, metallic, permanent wiring, system, or an equipment grounding conductor should be run with the circuit conductors and connected to the equipment grounding terminal or lead on the appliance.

INSTALLATION

1. Take out all the packing. If there is a safe film over the oven, tear it off before Use. Check carefully for damage. If any, immediately notify dealer or send to the manufacturer's service center.

2. Microwave ovens must be placed under dry and non-corrosiveness environments, kept away from heat and humidity, such as gas burner or water tank.

3. To ensure sufficient ventilation, the distance of the back of microwave to the wall should be at least 10 cm, the side to the wall should be at least 5 cm, the free distance above the top surface at least 20 cm. the distance of the microwave to the ground should be at least 85 cm.

4. The position of the oven shall be such that it is far from the TV, Radio or antenna as picture disturbance, or noise may occur.

5. The appliance must be positioned so that the plug is accessible, and must ensure a good grounding in case leakage, ground loop can be formed to avoid electric shock.

6. The microwave oven must be operated with the door closed.

7. The microwave oven shall not be placed in a cabinet.

8. The back of the oven must be placed against a wall.

9. As there is manufacturing residue or oil remained on the oven cavity or heat element, it usually would smell the odor, even a slight smoke, It is normal case and would not occur after several times use, keep the door or window open to ensure good ventilation. So it is strongly recommended to place a cup of water in the turntable, setting at high power and operate for several times.

CLEANING

MICROWAVE OVEN CARE

The oven should be cleaned regularly and any food deposits removed.

WARNING

1. It is hazardous for anyone other than a competent person to carry out any service or repair operation that involves the removal of a cover which gives protection against exposure to microwave energy.
2. Remove the power cord from the wall outlet before cleaning.
3. Failure to maintain the oven in a clean condition could lead to deterioration of the surface that could adversely affect the life of the appliance and possibly result in a hazardous situation.
4. The oven should be cleaned regularly and any food deposits removed.
5. Details for cleaning door seals, cavities and adjacent parts.
6. Never use hard detergent, gasoline, abrasive powder or metal brush to clean any part of the appliance.
7. Do not remove the waveguide cover.
8. When the microwave oven has been used for a long time, there may be some strange odors exist in oven, following 3 methods can get rid of them:
 - a) Place several lemon slices in a cup, then heat with high power for 2-3 min.
 - b) Place a cup of red tea in oven, then heat with high power.
 - c) Put some orange peel into oven, and then heat them with high power for 1 minute.

TIPS FOR CLEANING

Exterior:

Wipe the enclosure with a dampened soft cloth

Door:

Using a dampened soft cloth, wipe clean the door and window Wipe the door seals and adjacent parts to remove any spill or spatter

Wipe the control panel with a slightly dampened soft cloth Interior walls:

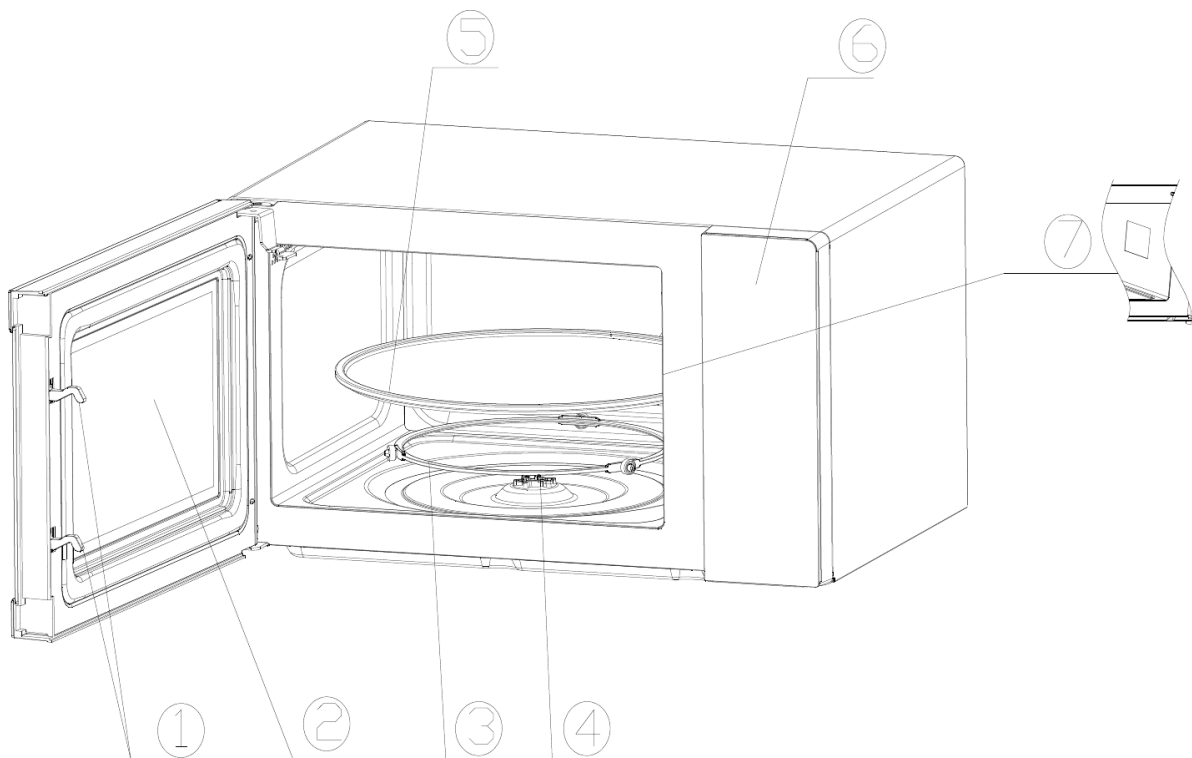
Wipe clean the interior surfaces with a dampened soft cloth

Wipe clean the waveguide cover to remove any food splashed

Turntable / Rotation ring / Rotation axis:

Wash with mild soap water Rinse with clean water and allow drying thoroughly

PRODUCT INSTRUCTION



1) Door lock

Microwave oven door must be properly closed in order for it to operate

2) Viewing window

Allow user to see the cooking status

3) Rotating ring

The glass turntable sits on its wheels; it supports the turntable and helps it to balance when rotating

4) Rotating axis

The glass turntable sits on the axis; the motor underneath it drives the turntable to rotate

5) Turntable

The food sits on the turntable, its rotation during operation helps to cook food evenly

CAUTION

- Place the rotating ring first
- Fit the turntable onto the rotating axis and make sure that it is geared in properly

6) Control panel

See below in details (the control panel is subject to change without prior notice)

7) Waveguide cover

It is inside the microwave oven, next to the wall of control panel.

OPERATION OF CONTROL PANEL



Microwave

Defrost

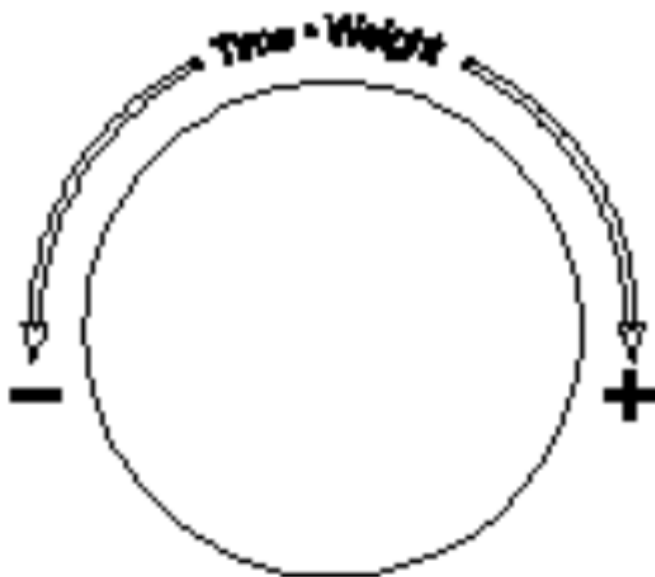
Reheat



Oven

Air Fry

Keep Warm



Menu

**Combi
Cooking**

1. BEFORE COOKING

The display lights up when plugged in power supply, then enter the standby state and display shows 1:00.

2. POWER FUNCTION

There are ten microwave power levels, 100P, 90P, 80P, 70P, 60P, 50P, 40P, 30P, 20P and 10P, respectively. Press the "Micro." button continuously and select the desired microwave power. Press 0~9 number buttons to input the cooking time, the maximum time that can be input is 99:99. After entering the cooking time, press "START/+30s" button to start work. An buzzing sound to notify completion of the operation.

HIGH	100% power output	(Applicable for quick and thorough cooking)
M.High	80% power output	(Applicable for medium express cooking)
Med	50% power output	(Applicable for steaming food)
M.Low	30% power output	(Applicable for defrosting food)
LOW	10% power output	(Applicable for keeping warm)

CAUTION

- a. The max time which can be set is 99 minutes and 99 seconds.
- b. Never use the grill rack during microwave cooking.
- c. Never operate the oven empty.
- d. At the maximum microwave power, the oven will automatically lower the power after a certain time of cooking to lengthen the service life.
- e. If you turn the food during operation, press the Start/+30s button once and the preset cooking procedure will continue.

f. If you intend to remove the food before the preset time, you must press Stop button once to clear the preset procedure to avoid unintended operation of next time use.

3. DEFROST

There are two defrost mode, dEF1 and dEF2, respectively. dEF1 for defrost by weight and dEF2 for defrost by time. Press “Defrost” button to select defrost by weight or by time, and the display screen corresponding displays “dEF1” or “dEF2”.

Press 0~9 number buttons to input the food weight or defrosting time.

The weight range of dEF1 is from 4 to 500z, and the maximum time that dEF2 can be entered is 99:99.

After entering, press the “START/+30s” button start to work.

An buzzing sound to notify completion of the operation.

The dEF1 defrost mode by weight will have beeping sound to prompt the food to be turned over during defrosting.

Below is some food defrosting time advice:

dEF1 : For defrosting, the weight range from 4 to 500z.

dEF2 : For defrosting, the maximum time is 99:99.

CAUTION

- a. It is necessary to turn over the food during operation to obtain uniform effect.
- b. Usually defrosting will need longer time than that of cooking the food.
- c. If the food can be cut by knife, the defrosting process can be considered completed.
- d. Microwave penetrates around 4cm into most food
- e. Defrosted food should be consumed as soon as possible, it is not advised to put back to fridge and freeze again.

4. AUTO COOKING

There are eight automatic menus, popcorn, baked potato, pizza, frozen vegetable, fresh vegetable, beverage, meat and bread respectively.

Select the desired auto menu button and press the corresponding menu button which to be selected continuously to select the desired food [Weight sum](#)

and the display shows the corresponding weight. After selecting the cooking weight, press “START/+30s” button to start work. An buzzing sound to notify completion of the operation.

Display	Kind	Method
A.1	Popcorn	The optional weight is 3.5oz.
A.2	Baked Potato	The optional weights are 9oz, 18oz and 27oz.
A.3	Pizza	The optional weights are 7oz and 14oz.
A.4	Frozen vegetable	The optional weights are 7oz, 14oz and 21oz.
A.5	Fresh vegetable	The optional weights are 7oz, 14oz and 21oz.
A.6	Beverage	The optional weights are 1 cup, 2 cups or 3 cups, each one about 250ml.
A.7	Meat	The optional weights are 7oz, 14oz and 21oz.
A.8	Bread	The optional weights are 3.5oz, 7oz, 10.5oz, 14oz and 17.5oz.

CAUTION

- a. The temperature of food before cooking would be 20-25. Higher or lower temperature of the food before cooking would require increase or decrease of cooking time.
- b. The temperature, weight and shape of food will largely influence the cooking effect. If any deviation has been found to the factor noted on above menu, you can adjust the cooking time for best result.

5. TIMER

In standby mode, press this button to enter the setting interface, and the countdown function icon and “0:00” will be displayed on the display screen.

Press the 0 ~ 9 number buttons to input the time. The maximum time that can be input is 99:99. After setting the time, press the “START/+30s” button to begins the countdown.

An buzzing sound to notify completion of the countdown.

6. REHEAT

Reheat function is mainly to facilitate users to heat food according to the weight of food, press "Reheat" button continuously, select the appropriate weight of food, the weight range can be selected are 70z, 140z, 210z, 280z and 350z.

After selecting the weight, press "START/+30s" button to start work, an buzzing sound to notify completion of the operation.

7. EXPRESS COOK

7.1 In standby mode, you can directly press the 1~6 number buttons to start the microwave oven. The working time is 1~6 minutes, that is, press 1 to work for 1 minute, press 2 to work for 2 minutes, and so on. After selecting the time, press "START/+30s" button to start work, an buzzing sound to notify completion of the operation.

7.2 In standby mode, after putting food in and closing the door, press the "START/+30s" button to start the microwave quickly. The default working time is 30 seconds. In the working process, press

the "START/+30s" button once for 30 seconds. An buzzing sound to notify completion of the operation.

8. 0/Clock

The clock function and "0" button are combined in one button. The clock is 12-hour system. The operation of the clock function is as follows:

In standby mode, press and hold down the "0/Clock" button for more than 3 seconds to enter the clock setting interface, press the 0 ~ 9 number buttons to input the clock time directly and input must be valid between 1:00~12~59. After pressing 4 number buttons consecutively, confirm the set time directly and exit the clock setting mode at the same time. If you do not press 4 times, you need to press the "START/+30s" button to confirm the set time and exit the clock setting mode at the same time.

9. STOP

In the process of cooking settings, can press "STOP" button to cancel the settings and return to standby state. In the process of microwave oven working, can press "STOP" button to pause. In the standby state, can press "STOP" button again to cancel the function and return to standby state.

10. START/+30s

After setting the cooking time or food weight, press "START/+30s" button to start microwave oven immediately. In working state, can press "START/+30s" button to increase time, press one time to increase 30 seconds, but the menu mode and weight defrosting mode cannot adjust time. In pause state, can press "START/+30s" button to continue the microwave oven before cooking mode.

11. CHILD LOCK FUNCTION

Use this feature to lock the control panel when you are cleaning or so that children cannot use the oven unsupervised. All the buttons are rendered inoperable in this mode.

1) Set lock: Press and hold down the STOP button for 3 seconds.

2) Cancel lock: Press and hold down the STOP button for 3 seconds.

12. THE OPERATION METHOD AND SETTING OF THE TWO-STEP DOOR OPENING FUNCTION

12.1 The operation method of two-step door opening

In the operating state or after the operation is completed, the first step is to press the STOP button to pause or return to standby mode of the microwave. The second step is to open the oven door.

When not in operating condition or after 30 minutes of work, the oven door can be opened directly.

12.2 Setting of two-step door opening function

In the standby mode of the microwave, press and hold down the STOP+START+POWER buttons in order to turn on/off this function, and the corresponding display will be "ON" or "OFF".

CAUTION

To enable this function, it is not possible to directly open the oven door during operation, and a two-step door opening operation is required.

Turn off this function, and you can directly open the oven door in any state.

After the product is powered on, it defaults to the two-step door opening function.

UTENSILS GUIDELINE

It is strongly recommended to use the containers which are suitable and safe for microwave cooking. Generally speaking, the containers which are made of heat-resistant ceramic, glass or plastic are suitable for microwave cooking. Never use the metal containers for microwave cooking and combination cooking as spark is likely to occur. You can take the reference of below table.

Material of container	Microwave	Notes
Heat-resistant ceramic	Yes	Never use the ceramics which are decorated with metal rim or glazed
Heat-resistant plastic	Yes	Can not be used for long time microwave cooking
Heat-resistant glass	Yes	
Grill rack	No	
Plastic film	Yes	It should not be used when cooking meat or chops as the over-temperature may do damage to the film

COOKING TIPS

The following factors may affect the cooking result:

Food arrangement

Place thicker areas towards outside of dish, the thinner part towards the centre and spread it evenly. Do not overlap if possible.

Cooking time length

Start cooking with a short time setting, evaluate it after it times out and extend it according to the actual need. Over cooking may result in smoke and burns.

Cooking food evenly

Food such as chicken, hamburger or steak should be turned once during cooking.

Depending on the type of food, if applicable, stir it from outside to centre of dish once or twice during cooking

Allow standing time

After cooking times out, leave the food in the oven for an adequate length of time, this allows it to complete its cooking cycle and cooling it down in a gradual manner

Whether the food is done

Color and hardness of food help to determine if it is done, these include:

- Steam coming out from all parts of food, not just the edge
- Joints of poultry can be moved easily
- Pork or poultry shows no signs of blood
- Fish is opaque and can be sliced easily with a fork

Browning dish

When using a browning dish or self-heating container, always place a heat-resistant insulator such as a porcelain plate under it to prevent damage to the turntable and rotating ring.

Microwave safe plastic wrap

When cooking food with high fat content, do not allow the plastic wrap come into contact with food as it may melt

Microwave safe plastic cookware

Some microwave safe plastic cookware might not be suitable for cooking foods with high fat and sugar content. Also, the preheating time specified in the dish instruction manual must not be exceeded

MAINTENANCE

SERVICING

Please check the following before calling for services.

1. Place one cup of water (approx.150ml) in a glass measure in the oven and close the door securely. Oven lamp should go off if the door is closed properly. Let the oven work for 1 min.

2. Does the oven lamp light?

3. Does the cooling fan work?

(Put your hand over the rear ventilation openings.)

4. Does the turntable rotate?

(The turntable can rotate clockwise or counter clockwise. This is quite normal.)

5. Is the water inside the oven hot?

If “NO” is the answer to any of the above questions, please check your wall socket and the fuse in your meter box. If both the wall socket and the fuse are functioning properly,

CONTACT YOUR NEAREST SERVICE CENTER APPROVED.

SERVICING SAFEGUARDS

MICROWAVE RADIATION!

It is hazardous for anyone, other than a qualified service technician, to carry out any service for repairing operation which involves removal of any cover which gives protection against exposure to microwave energy.

The temperature of accessible surfaces may be high when the appliance is operating.

The high voltage capacitor remains charge after disconnection; short the negative terminal of H. V capacitor to the oven chassis (use a screwdriver) to discharge before touching.

During servicing below listed parts are liable to be removed and give access to potentials above 250V to earth.

1. Magnetron
2. High voltage transformer
3. High voltage capacitor
4. High voltage diode
5. High voltage fuse

The following conditions may cause undue microwave exposure during servicing.

Improper fitting of magnetron;

Improper matching of door interlock, door hinge and door;

Improper fitting of switch support;

Door, door seal or enclosure has been damaged.

1. If LED displays Err0 during working, it indicates that sensor has been short circuit and you need replace it at the nearest repaired department.
2. If LED displays Err1 during working, it indicates that sensor has been open circuit and you need replace it at the nearest repaired department.

If the door or door seals are damaged, the oven must not be operated until it has been repaired by a competent person.

It is hazardous for anyone, other than a qualified service technician, to carry out any service for repairing operation which involves removal of any cover which gives protection against exposure to microwave energy.

Liquids or other foods must not be heated in sealed containers since they are liable to explode.

Only allow children to use the oven without supervision when adequate instructions have been given so that the child is able to use the oven in a safe way and understands the hazards of improper use.